

WEO[®] CO-EXTRUDED WOOD PLASTIC COMPOSITE CLADDING



Fiberdeck[®]





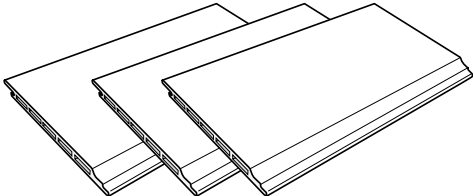
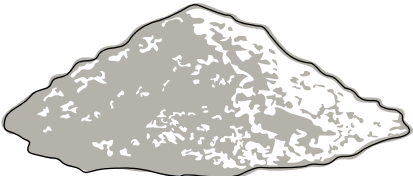
WEO®

High quality Bio-sourced cladding

WEO® cladding has been developed with the latest technologies of co-extrusion to guarantee a product without discoloration for 20 years, while using 95% of waste in its production! Co-extrusion has been a revolution in the composite wood market. A patented waterproof film protects the wood from moisture absorption and stabilizes the material.



95% RECYCLED WASTE!



Made from 95% waste, WEO® cladding boards are 100% recyclable.

Fiberdeck®



Warranty against Stain and fade

With 10 years of experience and several million square meters of installed projects to date in the most varied climates, we have been able to can warrant our products for 20 years without any visible discoloration.

Unique patterns and striking colors

Our co-extruded boards provide an exclusive experience. The physical and mechanical properties and aesthetics insure of serenity for the end user.

With a matt appearance, the colors of the boards are intense and multichromatic.

Each board is uniuqel, the process of manufacturing allows to restore randomly varied shades.

Therefore, all installed projects blend harmoniously into their environment.





WEO[®]
Classic

P.08



WEO[®]
35

P.10



WEO[®]
60

P.12



WEO[®]
Brise-soleil

P.14

WEO® Classic



A WPC CLADDING WITH INTENSE AND LUMINOUS COLORS!

WEO® Classic cladding boards are available in 4 multichromatic colors that are guaranteed against discoloration. They give a unique shine to your facade. The brushed and matt surface imitates natural wood in the best possible way.

Fiberdeck®



Teak
Item 1082



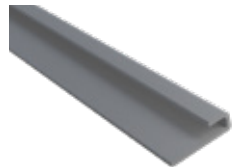
Ipe
Item 1083



Light Grey
Item 1084



Dark Grey
Item 1085



U starting profile (2 pcs)
25 x 0,7 mm x 3 m
Item 1090

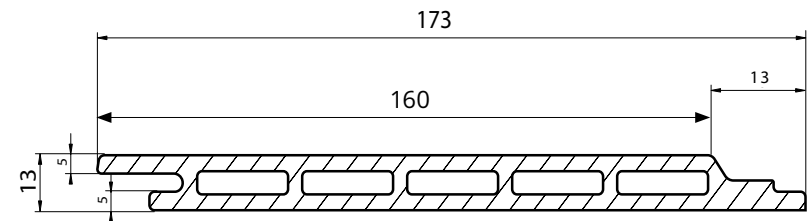


F finishing profile (2 pcs)
35 x 45 mm x 3,60 m | 3,24 kg (pce)

Item 1086 | ■ Teak Item 1088 | ■ Light Grey
Item 1087 | ■ Ipe Item 1089 | ■ Dark Grey



Clip WEO® Classic 100 pcs + screws
1,2 kg (pce) | 9 m²
Item 1091



Usable surface per board	0,576m ²
Mass per unit area	10,3 kg/m ²
Outer width	173 mm
Usable width	160 mm
Standard length	3600 mm

WEO® 35



A CONTEMPORARY SLATTED DECOR!

WEO® slatted boards offer a high durability. They dress up your facade with a chic and modern look of matt wood appearance without any discoloration or maintenance.



Teak
Item 0942



Ipe
Item 0943



Light Grey
Item 0944



Dark Grey
Item 0945



F finishing profile (2pcs)

65 x 80 mm x 3,60 m

Item 0967 | ■ Teak

Item 0968 | ■ Ipe

Item 0969 | ■ Light Grey

Item 0970 | ■ Dark Grey



Head coated A2 screws

Box of 500 pcs + 1 SR2 bit

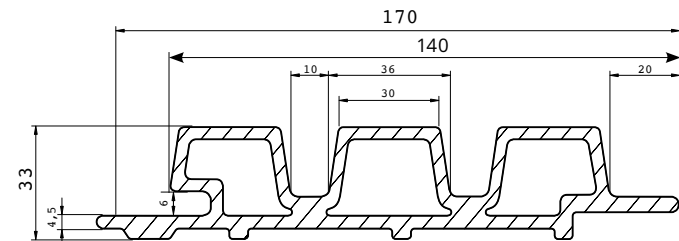
4,2 x 38 mm | 4,00 kg (pc) | 30 m²

Item 0946 | ■ Teak

Item 0947 | ■ Ipe

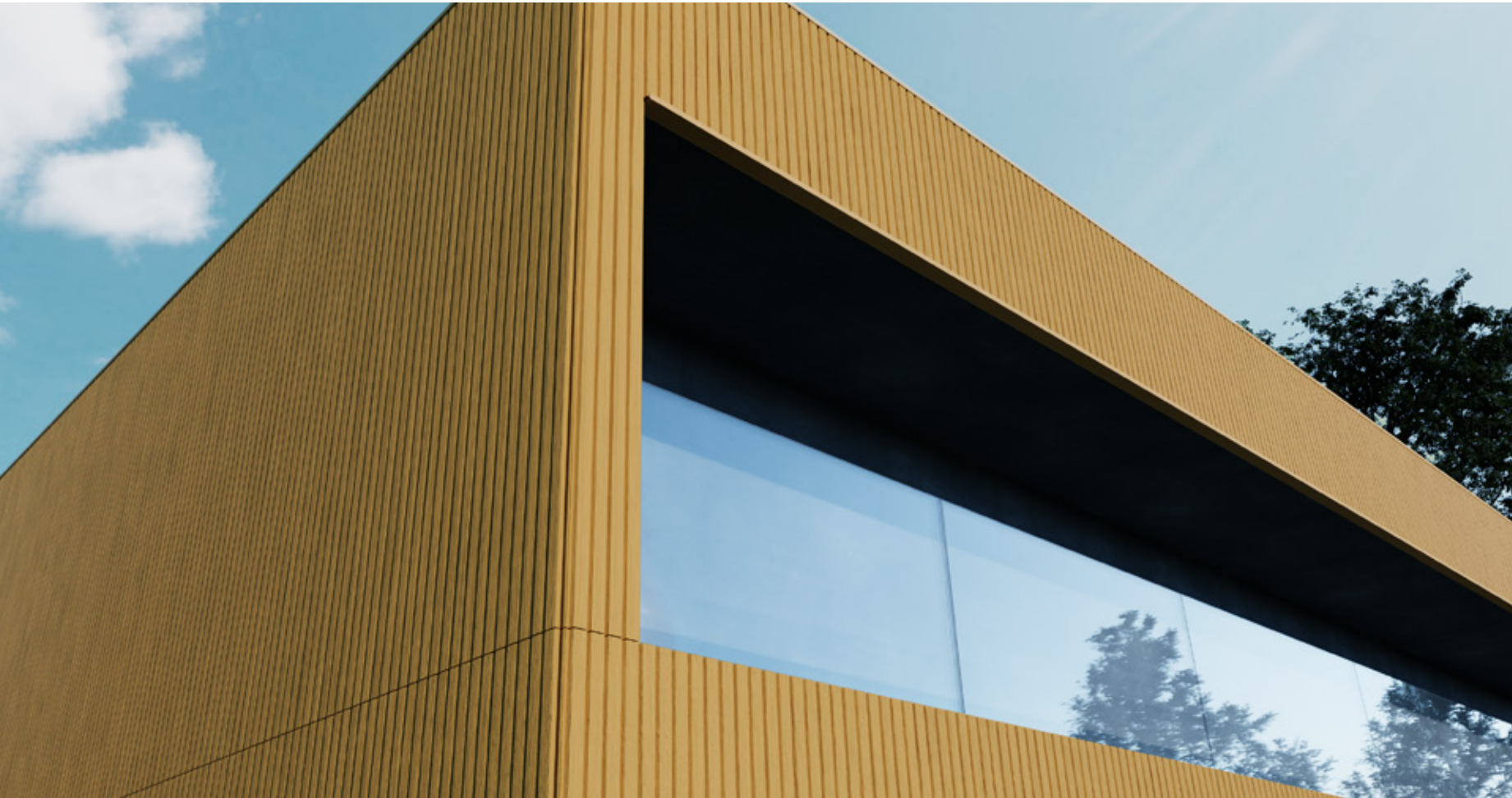
Item 0948 | ■ Light Grey

Item 0949 | ■ Dark Grey



Usable surface per board	0,504 m ²
Mass per unit area	15 kg/m ²
Outer width	170 mm
Usable width	140 mm
Standard length	3600 mm

WEO® 60



A MODERN AND TRENDY PROFILE

WEO 60 cladding has a false skeleton profile that allows it to be installed quickly and easily. Two possible installation choices, vertical or horizontal, accentuate the perception of height or depth for exterior facades. The 60mm wide slats are evenly spaced 10 mm apart. They are lightweight, stable and easy to install with our mounting system. It is also possible to mix the WEO 35 and WEO 60 profiles to create more variation. These composite panels perfectly imitate the open-joint appearance of wood cladding and create a striking, modern facade.



Teak
Item 1078



Ipe
Item 1079



Cedar
Item 1080



Dark Grey
Item 1081



F finishing profile (2pcs)

65 x 80 mm x 3,60 m

- Item 0967 | ■ Teak Item 1428 | ■ Cedar
- Item 0968 | ■ Ipe Item 0970 | ■ Ardoise



Head coated A2 screws

Box of 500 pcs + 1 SR2 bit

4,2 x 38 mm | 4,00 kg (pc) | 30 m²

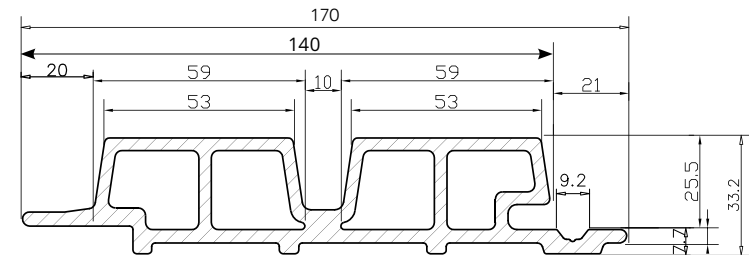
- Item 0946 | ■ Teak Item 1196 | ■ Cedar
- Item 0947 | ■ Ipe Item 0949 | ■ Ardoise



WEO® 60 Cladding screws

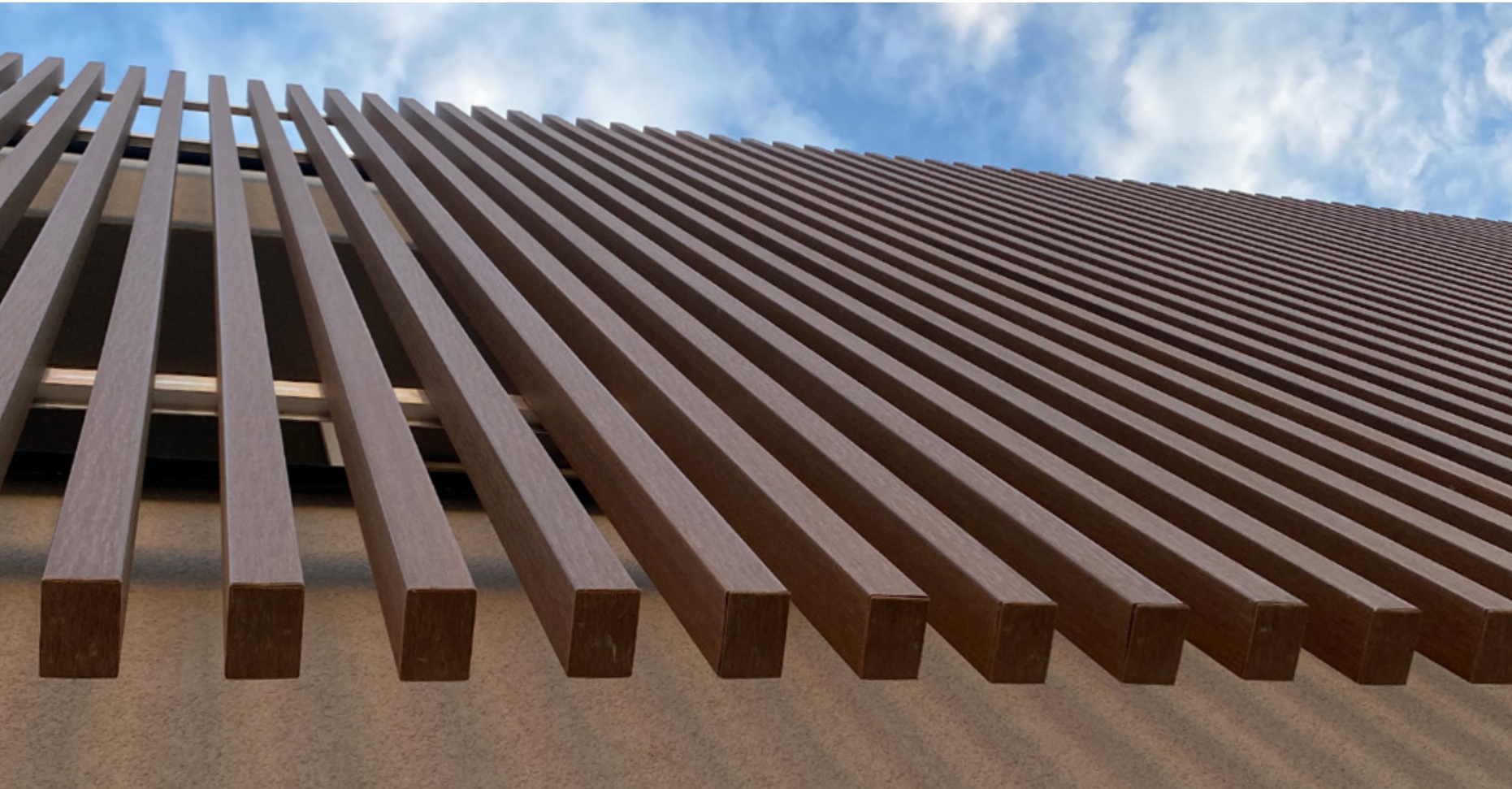
4.2x32mm | 500pcs + tip

Item 1337



Usable surface per board	0,504 m ²
Mass per unit area	14,5 kg/m ²
Outer width	170 mm
Usable width	140 mm
Standard length	3600 mm

WEO® Brise-soleil



A SET OF WPC SLATS TO PROTECT YOURSELF FROM THE SUN!

WEO Brise-soleil offer effective protection from the sun's rays. Depending on their spacing, they allow shadows to play on the facade and insulate from the heat. A unique contemporary wood decor, without any ageing.

Fiberdeck®



Teak



Ipe



Brise-soleil

42 x 60 mm x 4 m
52 x 100 mm x 4 m
62 x 120 mm x 4 m

Teak

Item 1092
Item 1094
Item 1096

Ipe

Item 1093
Item 1095
Item 1097



End cap

42 x 60 mm (x24)
52 x 100 mm (x10)
62 x 120 mm (x6)

Teak

Item 1098
Item 1100
Item 1102

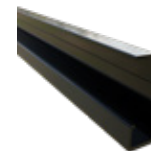
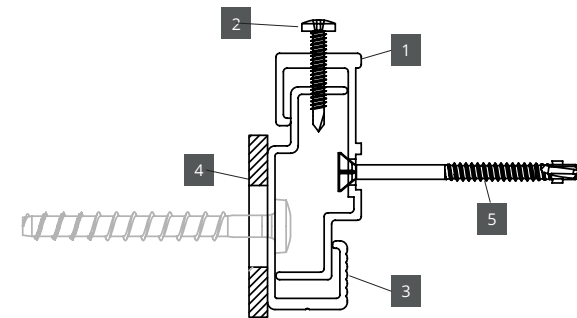
Ipe

Item 1099
Item 1101
Item 1103



1 Aluminum staple NV3 adjustable
Item 1154

2 Locking screw 4.8 x 32 mm
Item 1155

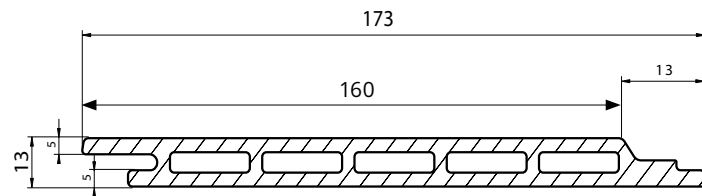


3 Rail KX-3000 RAL9005
Item 1156

4 Thermal break pad
Item 1157

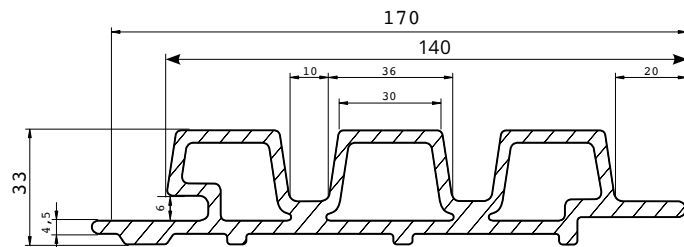
5 Self drilling wing screw
Item 1158

WEO® Classic



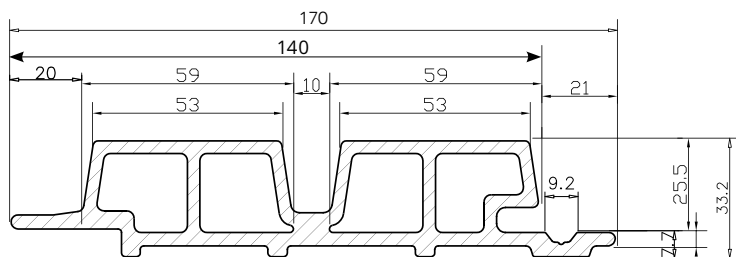
Usable surface per board	0,576m ²	
Mass per unit area	10,3 kg/m ²	
Outer width	173 mm	
Usable width	162 mm	
Standard length	3600 mm	
	Qty of clips / m ²	Qty of clips / board of 3.6m
Span 60 cm	11	7

WEO® 35



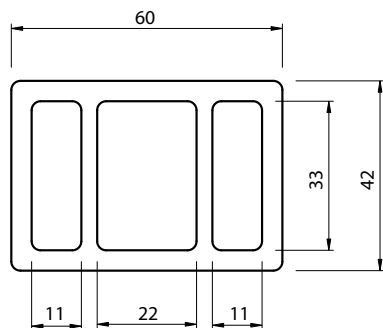
Usable surface per board	0,504 m ²	
Mass per unit area	15 kg/m ²	
Outer width	170 mm	
Usable width	140 mm	
Standard length	3600 mm	
	Qty of clips / m ²	Qty of clips / board of 3.6m
Span 60 cm	16	7

WEO® 60

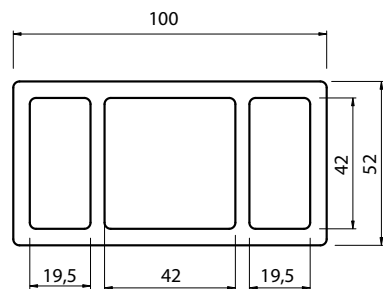


Usable surface per board	0,504 m ²	
Mass per unit area	14,5 kg/m ²	
Outer width	170 mm	
Usable width	140 mm	
Standard length	3600 mm	
	Qty of clips / m ²	Qty of clips / board of 3.6m
Span 60 cm	16	7

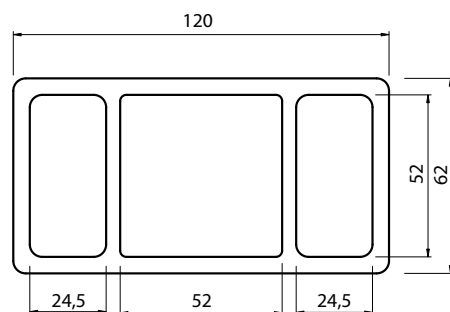
WEO® Brise-Soleil



Weight / linear meter	1,75 kg
Outer width	60 mm
Outer height	42 mm
Standard length	4 m

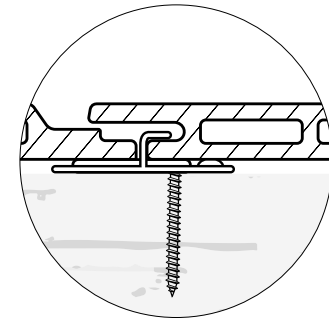
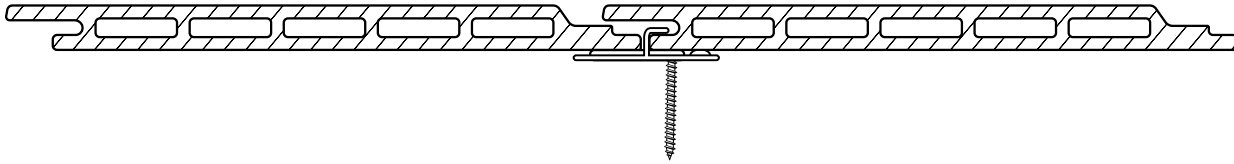


Weight / linear meter	3 kg
Outer width	100 mm
Outer height	52 mm
Standard length	4 m



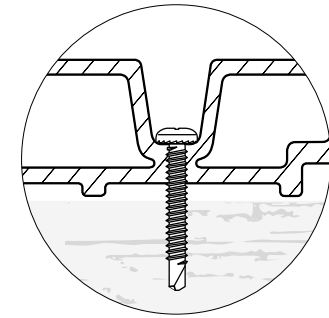
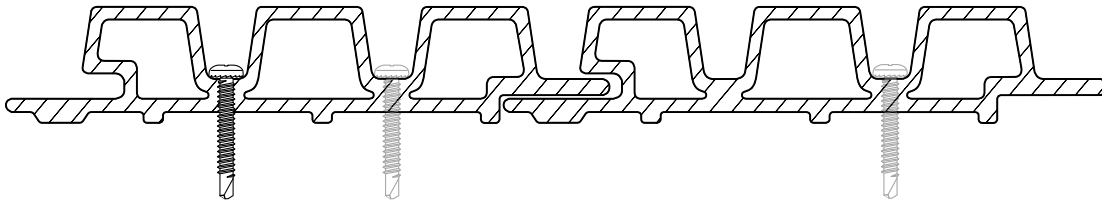
Weight / linear meter	3,70 kg
Outer width	120 mm
Outer height	62 mm
Standard length	4 m

WEO® Classic



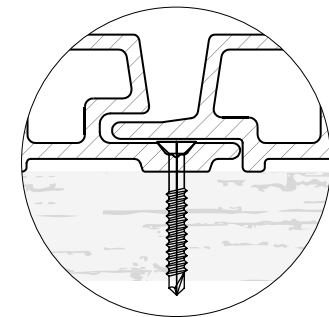
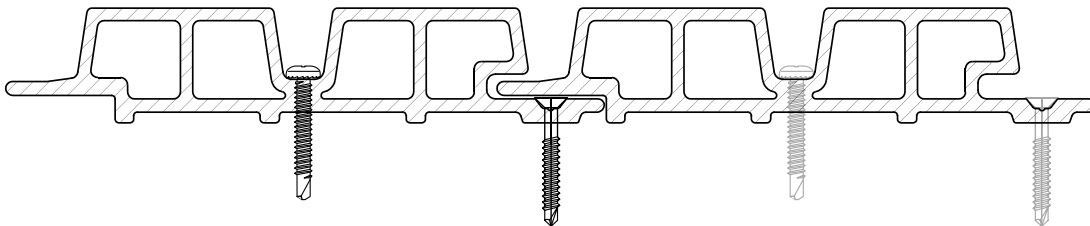
Clip Fixing

WEO® 35



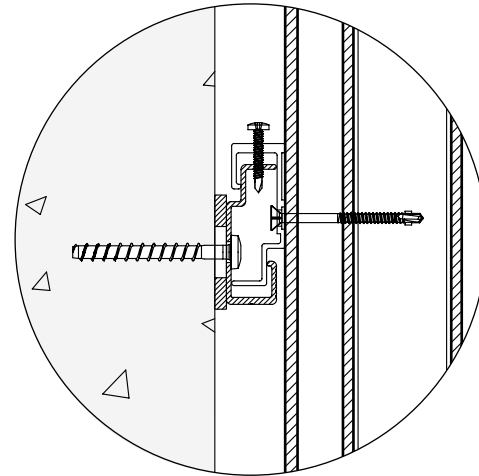
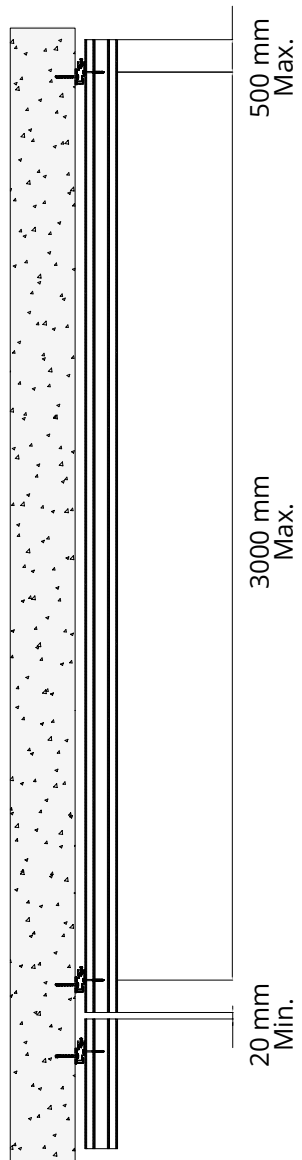
Screw fixing

WEO® 60

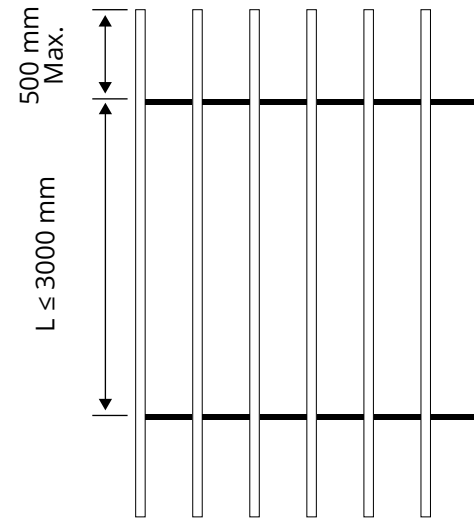


Screw fixing

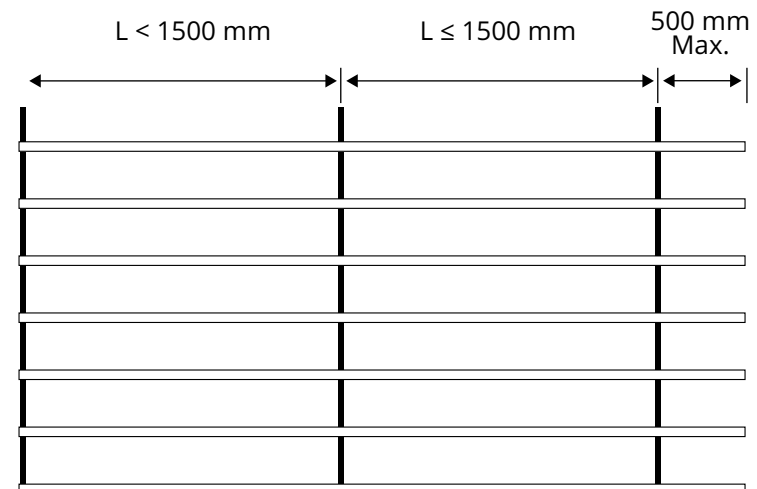
WEO® Brise-Soleil



Fixing with a staple on the rail



VERTICAL INSTALLATION



HORIZONTAL INSTALLATION

Fiberdeck[®]

fiberdeck.com